

THE RAVEN **V3**



THE RAVEN VR GUNSTOCK

V3 - USER MANUAL

V3 - CONTENTS

USER MANUAL

Contents

Inventory	2
Quick Set-up	3
User Guide - A) Receiver:	4
• <i>Attaching the Controller</i>	4
• <i>Cradle Detachment & Attachments</i>	4
• <i>Locking Mechanism</i>	5
User Guide - B) Mags	6
User Guide - C) Butt Stock	7
• <i>Adjusting the Max Length</i>	7
• <i>Interchanging Locks</i>	8
• <i>Latch Locks</i>	8
• <i>Cheek Rest & Charging Lever</i>	9
User Guide - D) Pump Gun	10
User Guide - E) Sling	11
User Guide - F) ForceTube Adaptor	12
General Maintenance	13

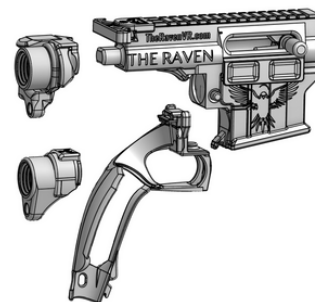


V3 - INVENTORY

A

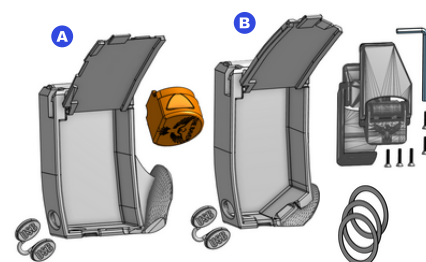
RECEIVER

- Receiver with Charging Handle
- Controller Cradle
- Interchangeable Rigid Joint
- Interchangeable Folding joint (1x screw)

A**B**

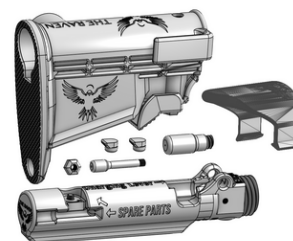
MAGS

- Mag A
- Mag B
- 2x Folding Latch Locks
- Orange Safety Cap
- 2x Cable port covers
- 3x Shims
- 2x Screws (+ 3x Screws with ForceTube Adaptor Orders)
- 3mm Hex Key Wrench

B**C**

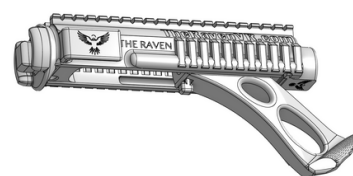
BUTT STOCK

- Butt Stock with Buffer Tube
- Cheek Rest
- Charging Lever
- Max Length Pin (+ Replacement)
- Stock Pin (+ Replacement)

C**D**

PUMP GUN

- Pump Gun Module with Locking mechanism

D**E**

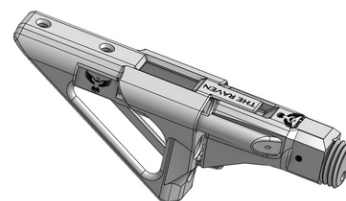
SLING

- Sling
- Sling Swivel Mount

E**F**

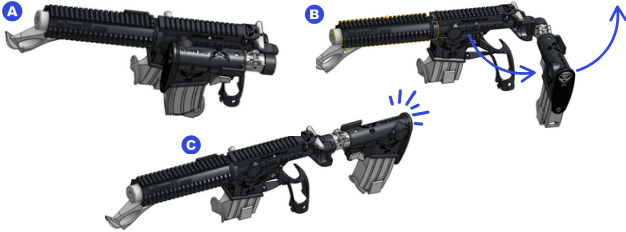
FORCETUBE ADAPTOR

- Force Tube Adaptor stock

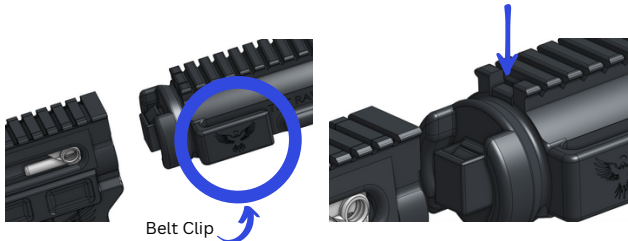
F

V3 - QUICK SET-UP

- 1 Unfold the **Stock**. Please note: attached with strong magnets.



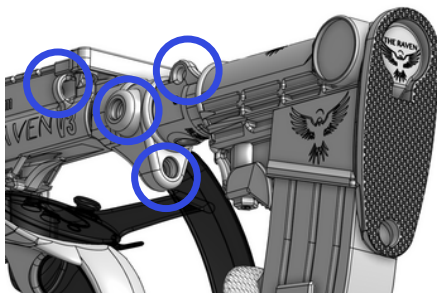
- 3 Attach the **Pump Gun Module** by clicking it into place. Remove it by pushing the hidden button in the top rail and store it on your belt with the belt clip.



- 5 To release the controller, pull the immersive reload mechanism. If needed, use your thumb to push upward and assist with the release. Optional locking mechanism available inside (see *User Manual*).



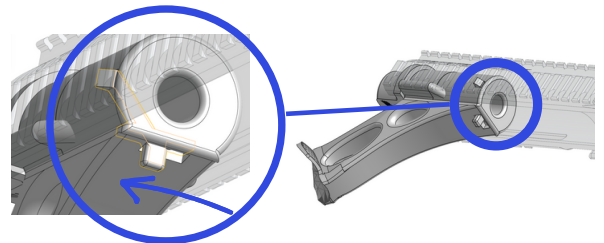
- 7 Attach the **Sling** to any of the multiple designated points on the Stock, either by hooking directly onto the body, or with the provided Sling Swivel Mount.



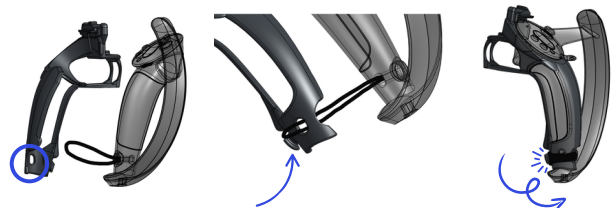
- 2 Adjust to desired length by gently pressing down on the **Stock Adjustment Lever**. The Buffer Tube stores additional items.



- 4 The **Pump Gun Module** position can be locked in place (see *User Manual*).



- 6 Insert the strap of the controller through the hole on the **Controller Cradle**. Insert the controller into the cradle until it clicks into place. Wrap the strap around and hook it into place.

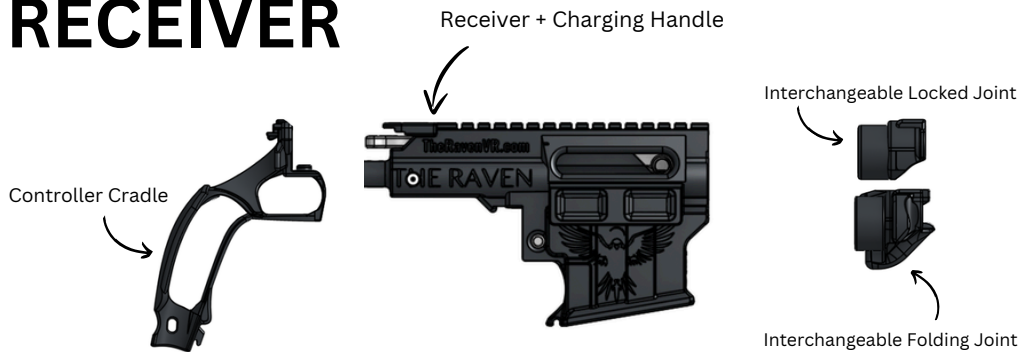


- 8 Insert the Mag by sliding it into the slot until you hear a click. Simply press the eject button to release the Mag. Mags double as storage compartments (see *User Manual*).



V3 - USER GUIDE - A) RECEIVER

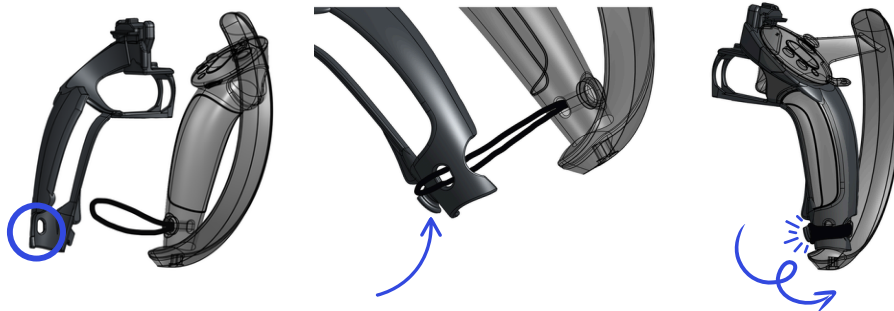
A RECEIVER



The **Receiver** is the main body of the stock, and holds the **Controller Cradle** of your dominant hand. In its original form it can act as a Pistol. **The Interchangeable Joints** will allow you to modify the stock from foldable to rigid, depending on your gaming needs (more on page 8).

1 - Attaching the Controller

To attach the controller to the cradle, start by threading the strap of your controller through the hole in the controller cradle. Once the strap is in place, push the controller firmly into the cradle until you hear the satisfying click. Then take the elastic strap, and hook it onto the cradles hook.



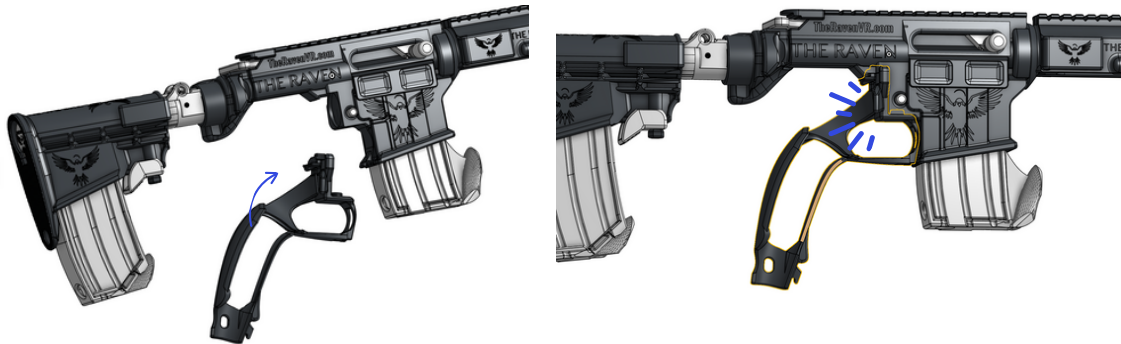
2 - Cradle Detachment and Attachment

To release the **Controller Cradle**, pull the **Immersive Reload Mechanism**. If needed, use your thumb to push upward and assist with the release.



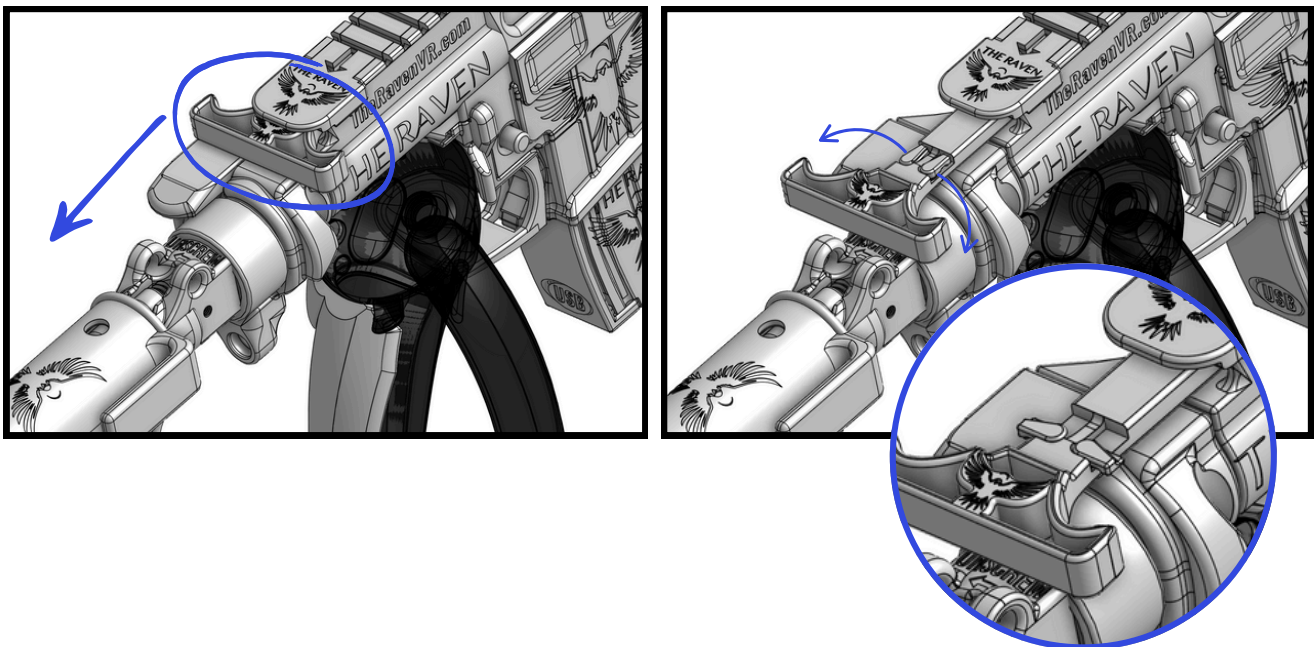
V3 - USER GUIDE - A) RECEIVER

Reattach the cradle by simply sliding it into position on the gunstock, and let the magnets do their job.



3 - Locking Mechanism

Strong magnets and an automatic lock keep your main hand controller securely in place. If you want even quicker access, you can disable the cradle locking mechanism by pulling back the reload mechanism and unfolding the stoppers. This allows the main hand to be released freely and quickly. Simply fold the stoppers back in to re-enable the lock.



B MAGS

1 - Lowdown

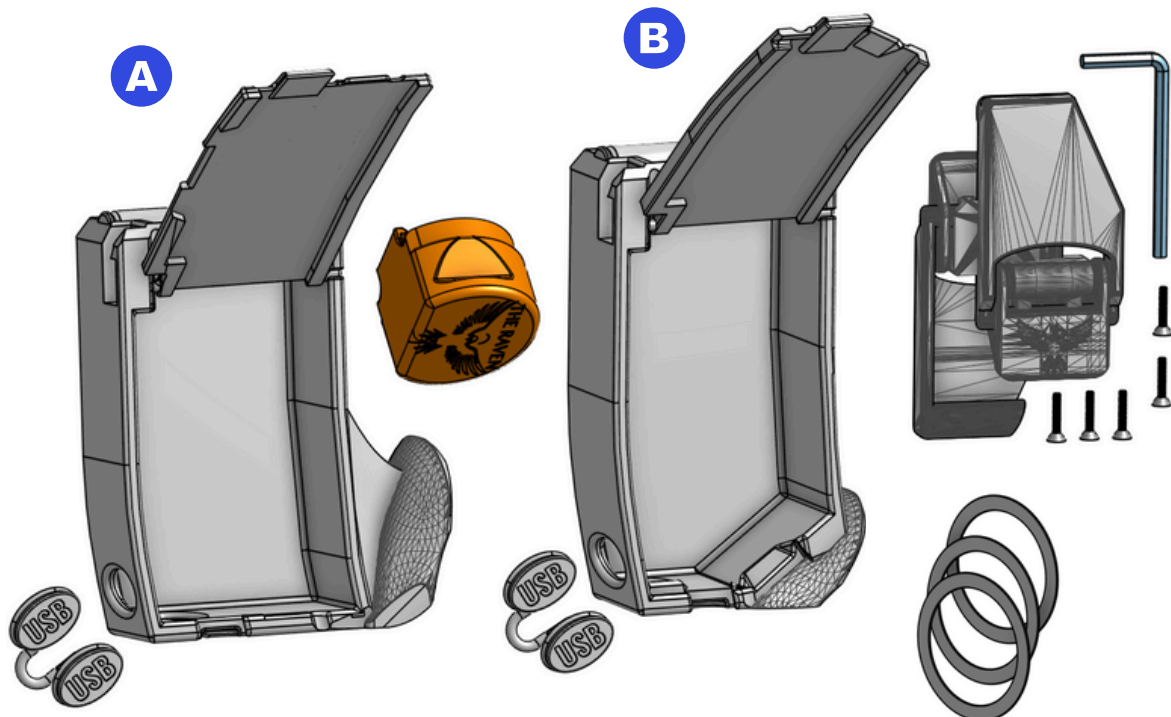
Mag A is ideal for rifles and offers great versatility. Mag B is perfect for SMGs.

Insert the Mag by sliding it into the slot until you hear a click. When you're done, hit the eject button to release the Mag. They can be conveniently stored in the butt stock when not in use, or hooked on the waist band using the belt clips.



2 - Storage

The Mags can store a small power bank or other accessories. Mag B includes latches for quickly locking the folding stock (see page 8), while Mag A, comes with an orange safety cap. Both mags also have removable ports for cables.



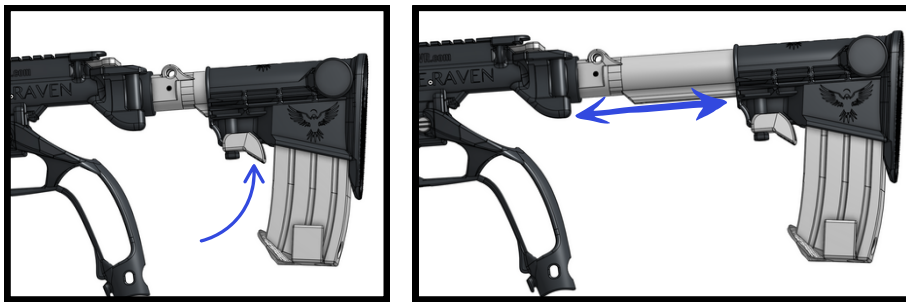
C BUTT STOCK

The Butt Stock is folded onto the body of the Receiver, and held in place by strong magnets. To get started, on adjustments, first unfold the Stock.

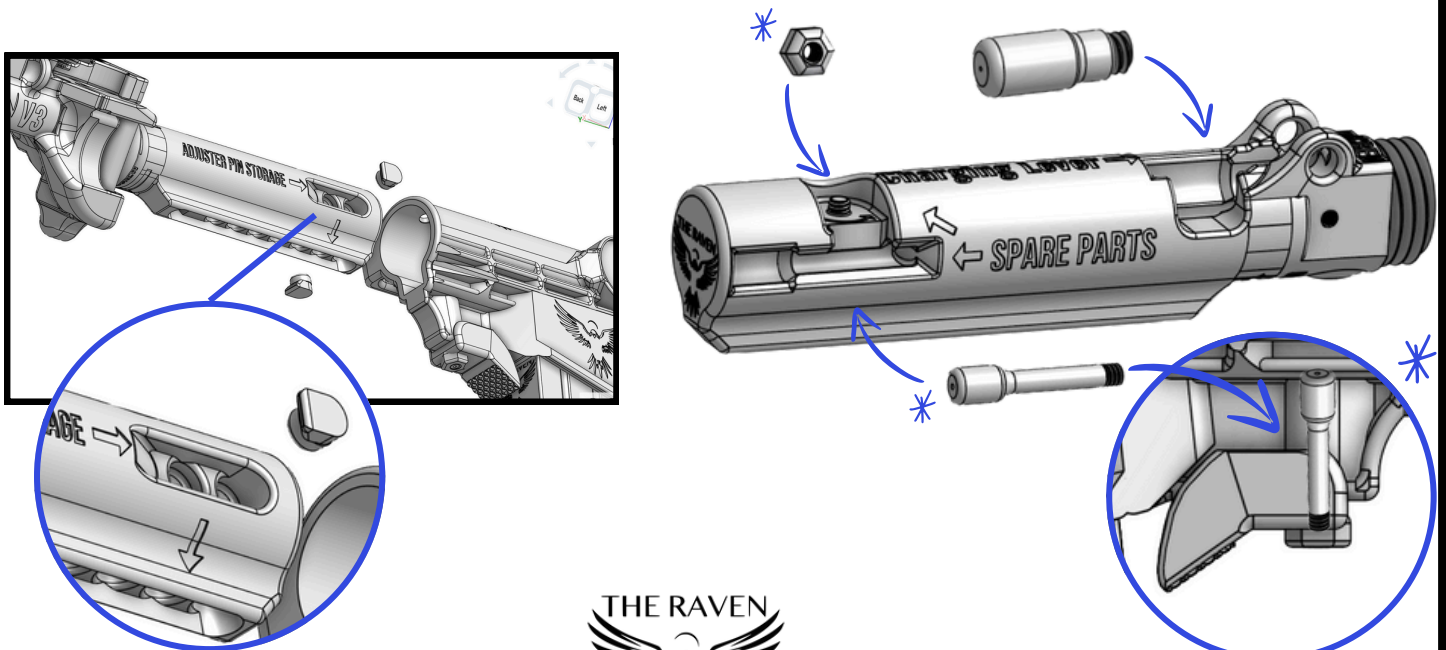


1 - Buffer Tube & Adjustments

Push all the way to slide the **Butt Stock** off the **Buffer Tube**.

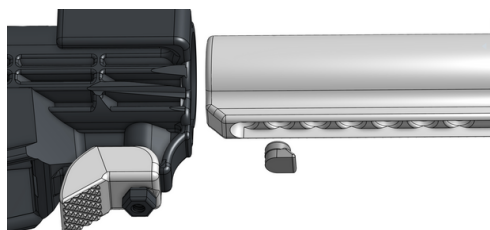


Inside you'll find the Charging Lever, replacement parts, and the Pins to adjust the maximum stock length.



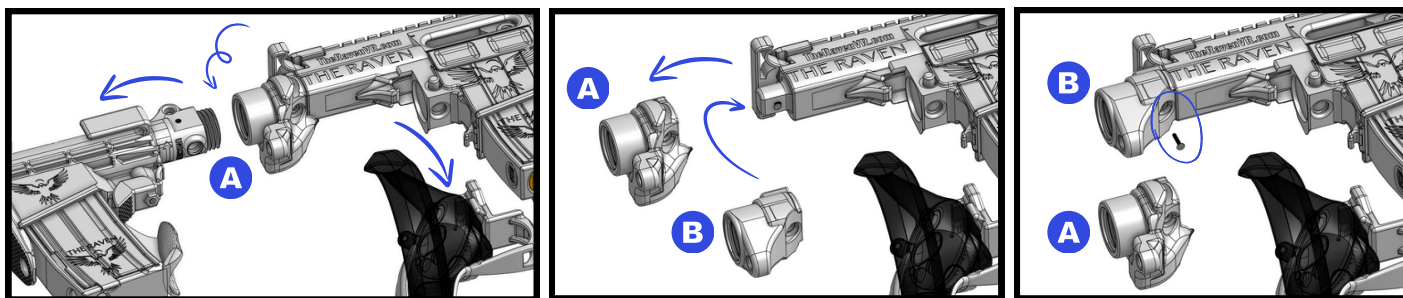
V3 - USER GUIDE - C) BUTT STOCK

To change the Max Length of the Stock, simply pull out the **Pin** from its original slot, and adjust the position. Alternatively, remove the **Pin** entirely if you want to extend it fully.



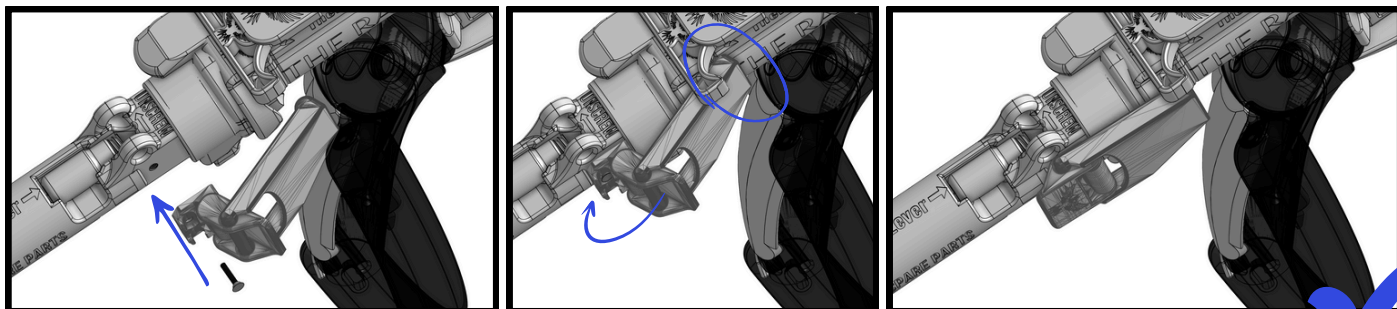
2 - Interchangeable Joints

You can choose between a **Rigid Stock**, and a **Magnetic Folding** one by interchanging the **Joints**. If you want to switch between them, just remove the screw, select the joint that best fits your game style and screw it into place. After you've attached your chosen joint, reattach the Butt Stock and Controller Cradle.



3 - Latch Locks

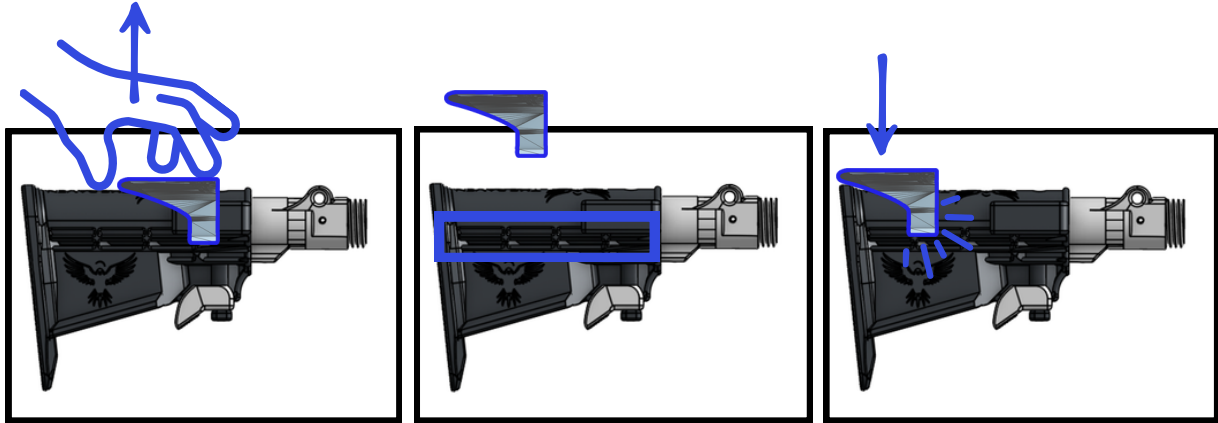
To lock the folding stock quickly, install one of the Latch Locks (stored in Mag B), using the provided screw, on the Buffer Tube. Locking the latch gives you a fast and convenient way to make the stock rigid whenever you need it.



V3 - USER GUIDE - C) BUTT STOCK

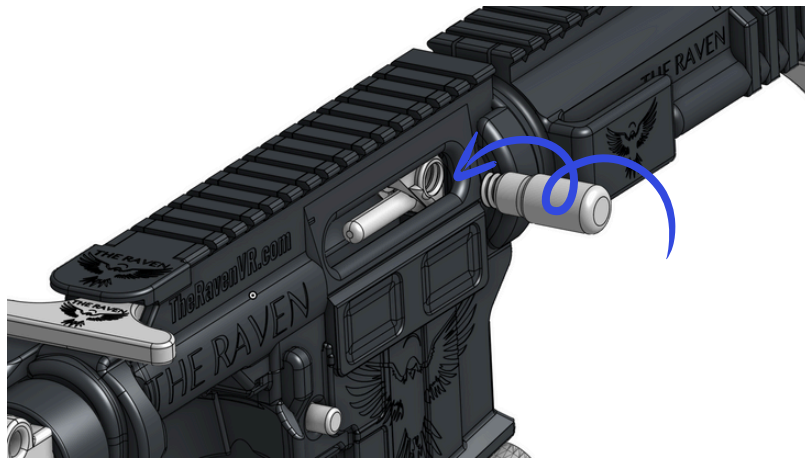
4 - Cheek Rest

Adjust the **Cheek Rest** by taking it off the **Butt Stock** and clicking it back on any of the ridges.

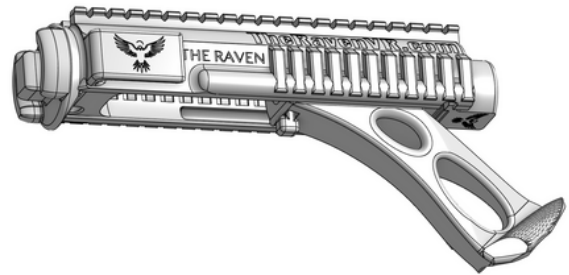


5 - Charging Lever (Optional)

Screw on the **Charging Lever** (stored in the Buffer Tube) onto the **Charging Handle**.



D PUMP GUN



1 - Attaching the Pump Gun Module

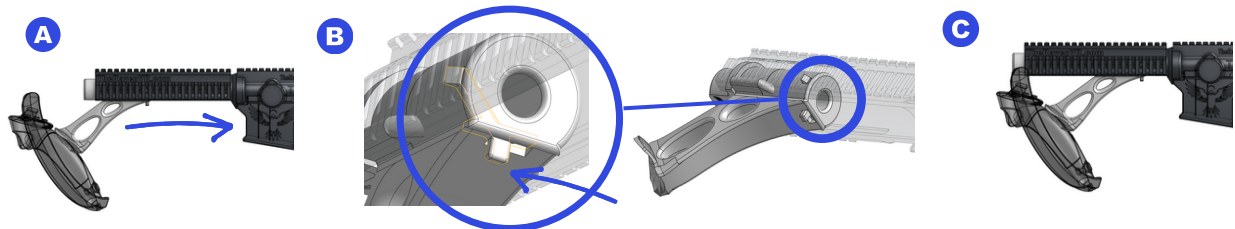
Connecting the **Pump Gun Module** is super easy - attach it by simply clicking it into place onto the Receiver. Remove it by pushing the hidden button in the top rail, and pulling it out. For convenience the pump gun module also includes a belt clip.



2 - Locking the Pump Gun into position

The offhand position can be locked exactly where you need it, giving you full control over your game play experience.

To lock the **Pump Gun Modules** position into place, pull the **Pump Gun** handle to the desired position and slide the **Positional Lock Switch** (located underneath the head of the Pump Gun) into one of the grooves on the inside of the **Pump Gun Module**.



* To quickly release the lock, pull the **Pump Gun** handle towards you.



E SLING

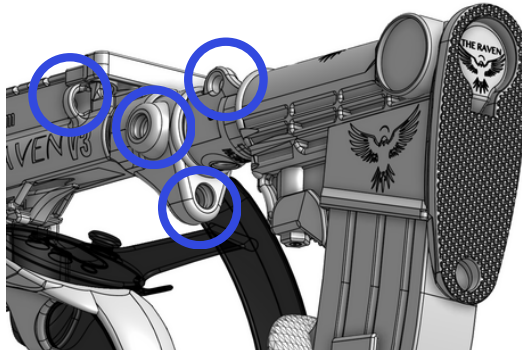


1 - Attaching the Sling

Attaching the **Sling** is straight forward, simply attach it to itself and then connect it to the desired spot on the stock.

A) Built in Points

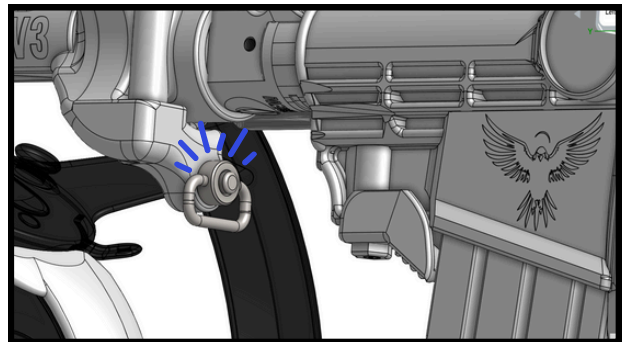
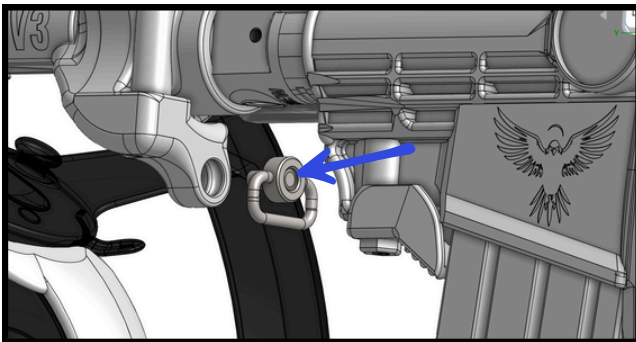
The Receiver and Butt Stock feature integrated attaching points designed for easily attaching the sling.



B) Sling Swivel Mount

There are multiple slots on the stock: Two on the **Rigid Joint**, one on the **Foldable Joint**, and another on the **Buffer Tube**.

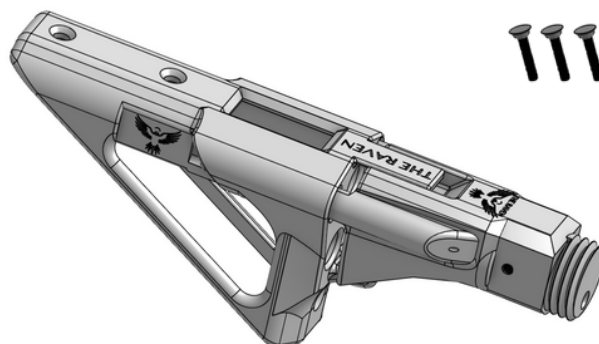
To connect the provided **Sling Swivel Mount** into the stock, first press the button on the back of the mount and insert the nub into one of the designated slots on the Stock. Release the button once the nub is in place to secure the locking mechanism.



* Please be aware that the continuous use of the slots may cause wear and tear, so consider rotating the slots, or wearing one down at a time. Replacement pieces can be ordered separately if need be.

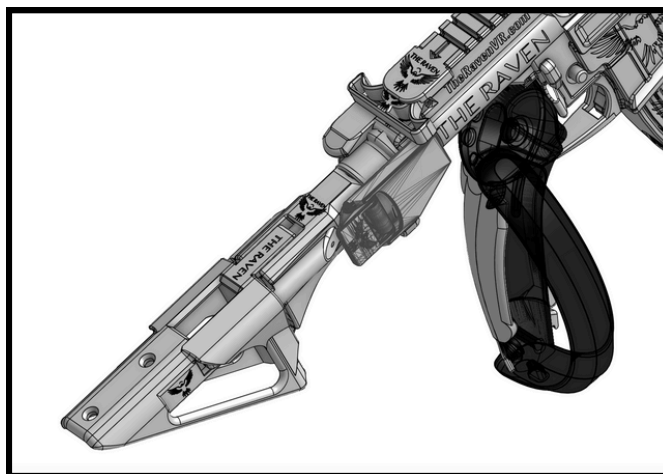
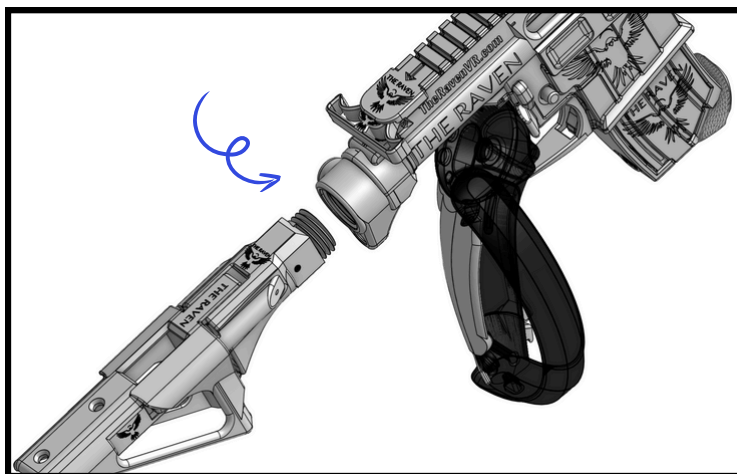
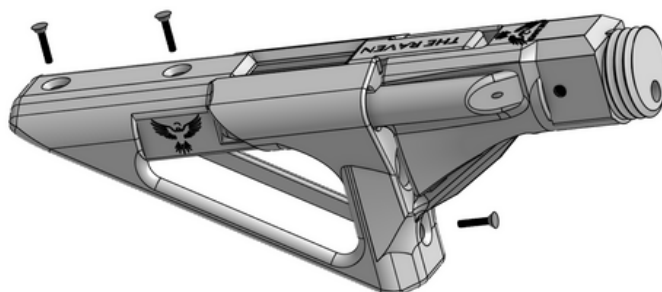


F FORCETUBE ADAPTOR (Optional)



The **ForceTube Adaptor** features built in **suspension** to keep your VR hands from flying due to the kick.

To use it in-game, first, align the holes on the **ForceTube Adapter Stock** with that of the ForceTube and screw the stock into place. Then, replace the standard Butt Stock by unscrewing it from the Joint on the Receiver and screwing on the **ForceTube Adapter Stock**. Once attached, you're ready to go!



V3 - GENERAL MAINTENANCE

- * Please review your headsets manual for correct base station angles and positions. to ensure correct tracking of the controllers.

GENERAL MAINTENANCE

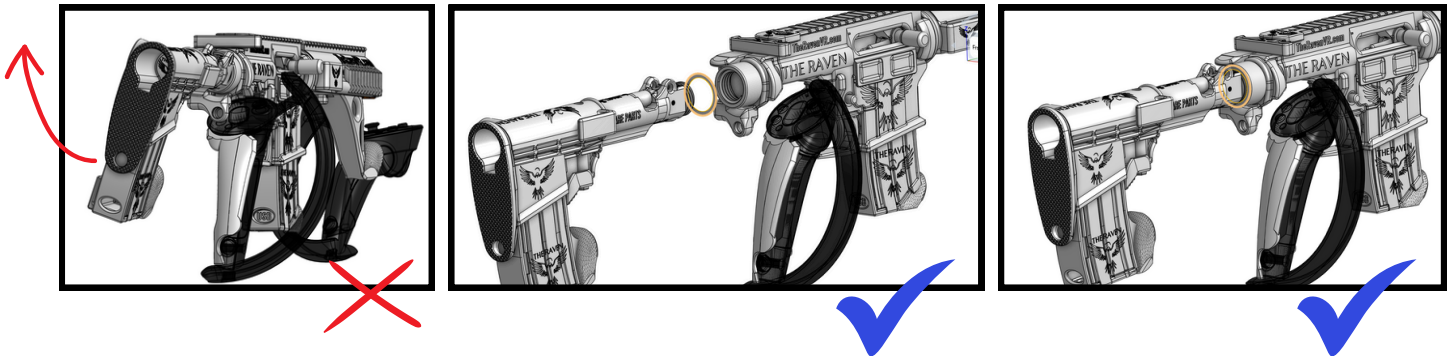
Naturally with use of the product, there will be some wear and tear overtime. Below are some tips to help you with the maintenance of your Raven V3.

A) Shim

You will find three rings provided with the kit which will serve as shims.

As the plastic used in the 3D prints is slightly malleable, unscrewing and screwing the Butt Stock from the Receiver may cause the rims in the Receiver to give in overtime, allowing the Butt Stock to be screwed in deeper than necessary and in turn messing with the alignment of the stock.

To avoid this, insert a shim into the receiver before screwing in the Butt Stock.



B) Mags

The Mags are held in place by a raised nub in the Mag Slots. If there is wear and tear to the nub, you can adjust the screw to tighten or loosen the grip on the spare Mag in the Butt Stock.

